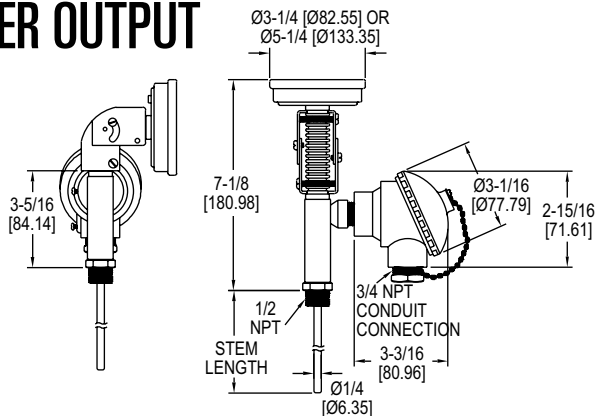


Dwyer**SERIES BTO****BIMETAL THERMOMETER WITH TRANSMITTER OUTPUT**

Bimetal Stem with 4 to 20 mA Output, 3" or 5" Dial



The **SERIES BTO** Bimetal Thermometer with Transmitter Output eliminates the need for a separate thermometer and transmitter.

FEATURES/BENEFITS

- Thermometer and transmitter in one device
- Weatherproof construction

APPLICATIONS

- Boilers
- Compressors
- Thermal oxidizers

SPECIFICATIONS**THERMOMETER SPECIFICATIONS****Wetted Materials:** 304 SS.**Housing Material:** 304 SS.**Lens:** Glass.**Accuracy:** $\pm 1\%$ FS.**Temperature Limits:** Ambient: -58 to 185°F (-50 to 85°C).**Dial Size:** 3" or 5".**Process Connection:** 1/2" NPT.**Resolution:** 2°F (5°F for 400°F and 550°F models).**Weight:** 1.95 lb.**TRANSMITTER SPECIFICATIONS****Temperature Limits:** Ambient: -58 to 185°F (-50 to 85°C).**Power Requirement:** 10 to 33 VDC.**Output Signal:** 4 to 20 mA.**Loop Resistance:** 1045 Ω .**Power Consumption:** 38 mA.**Enclosure Rating:** NEMA 4X (IP66).**MODEL CHART**

Model	Dial Size	Stem Length	Range	Model	Dial Size	Stem Length	Range
BTO32551	3"	2.5"	0 to 250°F	BTO52551	5"	2.5"	0 to 250°F
BTO32571	3"	2.5"	50 to 550°F	BTO52571	5"	2.5"	50 to 550°F
BTO34051	3"	4"	0 to 250°F	BTO54051	5"	4"	0 to 250°F
BTO34071	3"	4"	50 to 550°F	BTO54071	5"	4"	50 to 550°F
BTO36051	3"	6"	0 to 250°F	BTO56051	5"	6"	0 to 250°F
BTO36071	3"	6"	50 to 550°F	BTO56071	5"	6"	50 to 550°F
BTO39051	3"	9"	0 to 250°F	BTO59051	5"	9"	0 to 250°F
BTO39071	3"	9"	50 to 550°F	BTO59071	5"	9"	50 to 550°F
BTO31251	3"	12"	0 to 250°F	BTO51251	5"	12"	0 to 250°F
BTO31271	3"	12"	50 to 550°F	BTO51271	5"	12"	50 to 550°F

Note: -40 to 160°F, 0 to 200°F, 50 to 300°F, and 50 to 400°F ranges available, contact factory for more information

USA: California Proposition 65

⚠WARNING: Cancer and Reproductive Harm - www.P65Warnings.ca.gov